

# Fuses for Semiconductor Protection

## CJE25 SERIES FUSES



### ● PRODUCT SPECIFICATION

IEC60269-4、JASSO D622、GB/T31465.6 standard



SIZE	Rated Voltage	Rated Breaking Capacity
25	dc 1000V	1000Vdc@50kA (TC<2ms)

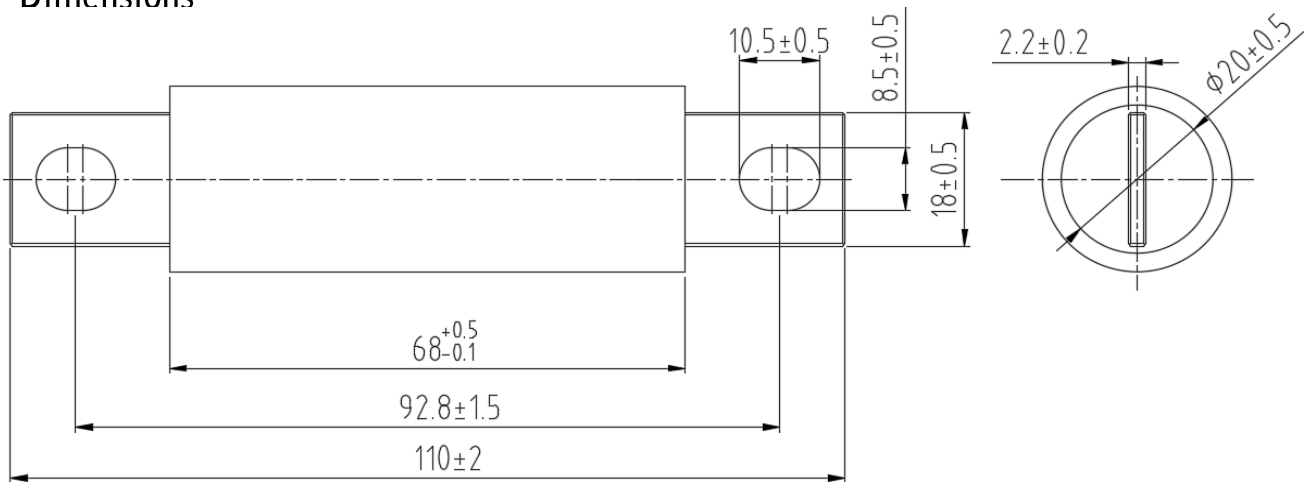
### ● Product model

- CJE25-(70-100)A

### ● Description

- Safe and reliable connecting way of bolt-on
- Excellent electric performance, quick protection for EV system, cut down the fault current of the system.
- Product design conforms to IEC60269-4、JASSO D622、GB/T31465.6
- Product process conforms to IATF16949
- Product and Package conforms to RoHS

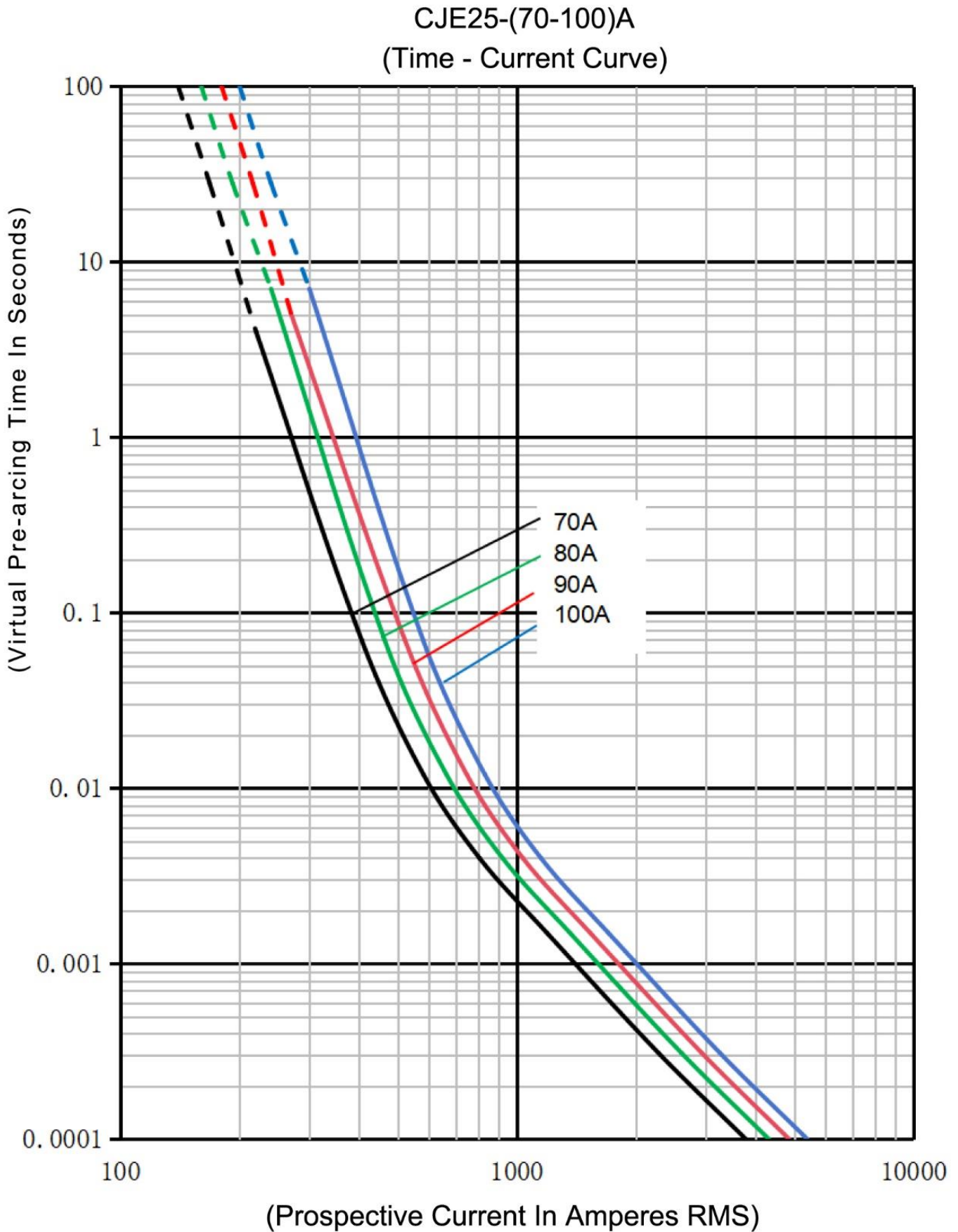
● Dimensions



● Selection and ordering data

Rated current 【A】	Rated voltage 【V】	Part Number	Power Loss@In 【w】	Pre-arcing I <sup>2</sup> t 【A <sup>2</sup> S】	Total @1000V I <sup>2</sup> t 【A <sup>2</sup> S】	Weight 【Kg/1】	Pack
70	1000	CJE25-70A	25	1000	6700	0.15	1
80		CJE25-80A	28	1500	9500		
90		CJE25-90A	31.5	2500	14500		
100		CJE25-100A	35	3800	18800		

● Time- Current Characteristics Curve



- Operating condition

No	Item	Requirements
1	Operating voltage	≤1000Vdc
2	Operating environment	
	Normal Applied Temperatures	-5°C~40°C
	Allowed Operation Temperature	-40°C~85°C
	Relative humidity	5%~95%
3	altitude	
	Normal altitude location	≤2000m
	Allowed mounted altitude	≤5500m
	Atmospheric pressure	61.6kPa~106.2kPa
4	Storage environment	
	Normal storage condition	-5°C~40°C RH<75%
	Allowed storage condition	-40°C~120°C
5	Install torque	M8 12±1N.m
6	Pollution level	III

**Note:** If exceeding the normal usage conditions, some parameters may need to be corrected with in the allowed usage conditions, please contact with Component Basics.