

# DC High-Voltage Fuses

## CBP-EVL SERIES FUSE



- Semiconductor Protection Fuses – IEC 60269-4 / JASO D622 / ISO 8820-8 Compliant

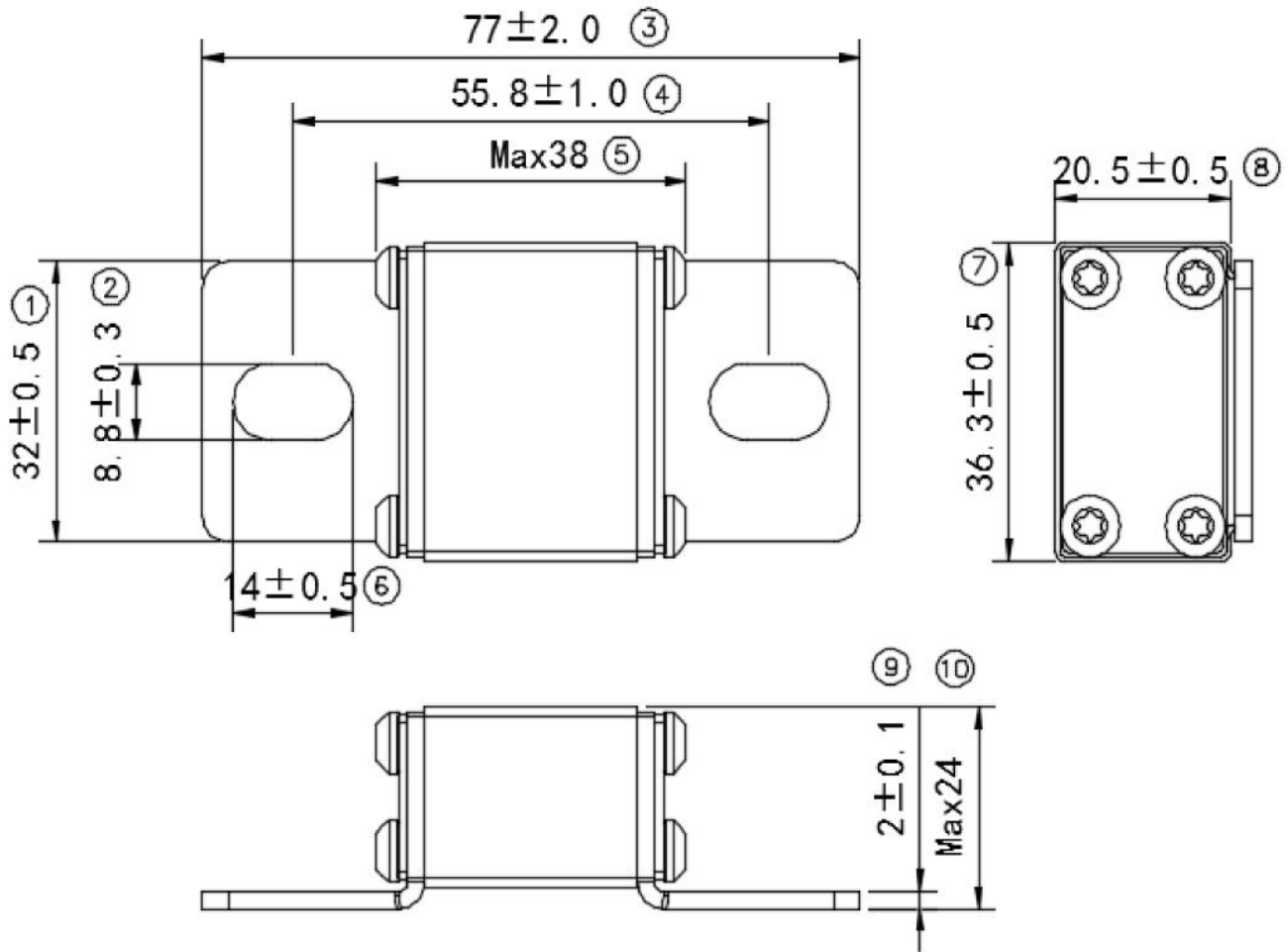
Size	Rated Voltage	Operating Class	Rated Breaking Capacity
A	250V dc	EV	250Vdc @ 20kA

- Series Reference  
**CBP-EVL**

### ● Key Features & Benefits

- **Fast-Acting Protection:** Engineered with a very low  $I^2t$  value to ensure minimal energy let-through during a fault condition. This provides rapid and reliable protection for sensitive automotive components like batteries, inverters, and contactors.
- **Durable Bolt-On Design:** Features a robust, horizontal T-type bolt-on connection, ensuring secure and reliable performance in high-vibration automotive environments.
- **High-Strength Ceramic Body:** The high-grade ceramic housing offers excellent thermal resistance, high mechanical strength, and superior electrical insulation.
- **Automotive-Grade Quality:** The design conforms to JASO D622 and ISO 8820-8 standards, and the manufacturing process is compliant with IATF 16949 quality management systems.
- **RoHS Compliant:** The product and its packaging are fully compliant with the Restriction of Hazardous Substances (RoHS) directive.

• Dimensions



• Specification Matrix

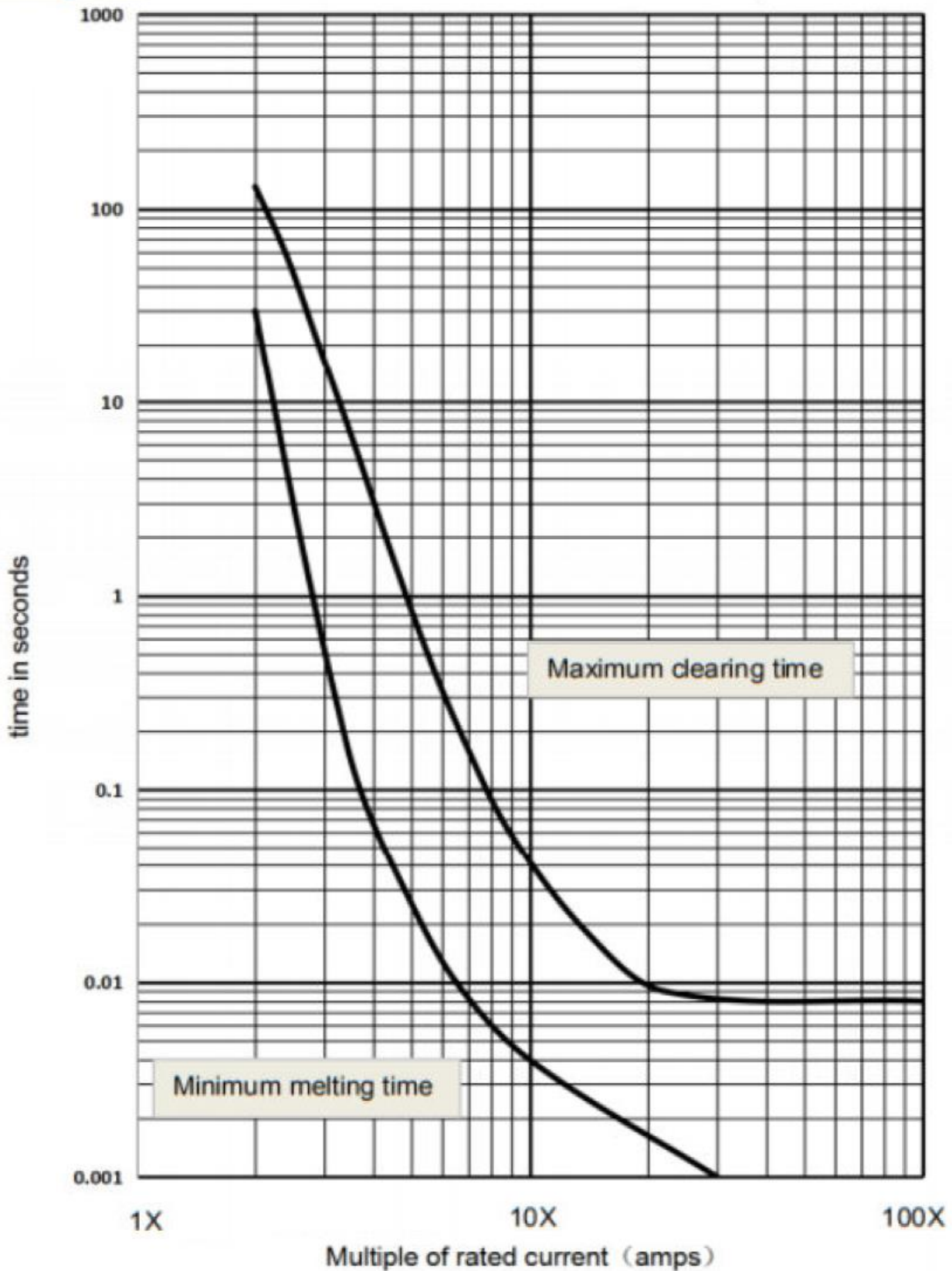
Rated Current (A)	Part Number	Power Loss (W) (typ.)	Pre-arcing I <sup>2</sup> t (A <sup>2</sup> s)	Total Clearing I <sup>2</sup> t @ 250V (A <sup>2</sup> s)	Weight (kg) (approx.)	Pack Qty
80	CBP-EVL080A	9	400	1800	0.115	4
100	CBP-EVL100A	12	700	3000	0.115	4
125	CBP-EVL125A	15	1100	4800	0.115	4
160	CBP-EVL160A	18	1900	8500	0.115	4
200	CBP-EVL200A	22	2500	11000	0.115	4
250	CBP-EVL250A	26	3500	17500	0.115	4
315	CBP-EVL315A	30	6000	27000	0.115	4
350	CBP-EVL350A	35	10000	45000	0.115	4
400	CBP-EVL400A	40	14000	63200	0.115	4
450	CBP-EVL450A	45	24000	99800	0.115	4
500	CBP-EVL500A	50	26000	120000	0.115	4

- Time- Current Characteristics Curve

CBP-EVL 250Vdc

Minimum melt/Maximum clearing time-current curves

time constant  
250Vdc@2ms



## ● Usage Conditions

No	Parameter	Specification
1	<b>Operating Voltage</b>	250V DC or less
2	<b>Operating Environment</b>	-40°C~85°C
		<b>Relative Humidity:</b> < 50%(≥40°C)
		<b>Relative Humidity:</b> < 90%(≤20°C)
3	<b>Storage Conditions</b>	<b>Temperature :</b> -5°C~40°C <b>Relative Humidity:</b> <75%
4	<b>Maximum Altitude</b>	≤ 2000 meters (Consult factory for operation above this altitude)
5	<b>Mounting Torque</b>	M8 Terminals: <b>12 ± 1 Nm</b>
6	<b>Pollution Degree</b>	III (Suitable for industrial environments)

## ● ABOUT US

Component Basics ("CBV") datasheets are solely intended to assist designers ("Buyers") who are developing systems that incorporate CBV products (also referred to herein as "components"). Buyer understands and agrees that Buyer remains responsible for using its independent analysis, valuation, and judgment in designing Buyer's systems and products. CBV datasheets have been created using standard laboratory conditions and engineering practices. CBV has not conducted any testing other than that specifically described in the published documentation for a particular datasheet. CBV may make corrections, enhancements, improvements, and other changes to its datasheets or components without notice.

Buyers are authorized to use CBV datasheets with the CBV component(s) identified in each particular datasheet. HOWEVER, NO OTHER LICENSE, EXPRESS OR IMPLIED, BY ESTOPPEL OR OTHERWISE TO ANY OTHER CBV INTELLECTUAL PROPERTY RIGHT, AND NO LICENSE TO ANY THIRD PARTY TECHNOLOGY OR INTELLECTUAL PROPERTY RIGHT, IS GRANTED HEREIN. CBV DATASHEETS ARE PROVIDED "AS IS". CBV MAKES NO WARRANTIES OR REPRESENTATIONS WITH REGARD TO THE DATASHEETS OR USE OF THE DATASHEETS, EXPRESS, IMPLIED, OR STATUTORY, INCLUDING ACCURACY OR COMPLETENESS. CBV DISCLAIMS ANY WARRANTY OF TITLE AND ANY IMPLIED WARRANTIES OF MERCHANTABILITY, FITNESS FOR A PARTICULAR PURPOSE, QUIET ENJOYMENT, QUIET POSSESSION, AND NON-INFRINGEMENT OF ANY THIRD PARTY INTELLECTUAL PROPERTY RIGHTS WITH REGARD TO CBV DATASHEETS OR USE THEREOF.

All products are sold subject to CBV's terms and conditions of sale supplied at [www.componentbasics.com](http://www.componentbasics.com). CBV ASSUMES NO LIABILITY FOR APPLICATIONS ASSISTANCE OR THE DESIGN OF BUYERS' PRODUCTS. BUYER ACKNOWLEDGES AND AGREES THAT IT IS SOLELY RESPONSIBLE FOR COMPLIANCE WITH ALL LEGAL, REGULATORY, AND SAFETY-RELATED REQUIREMENTS CONCERNING ITS PRODUCTS, AND ANY USE OF CBV COMPONENTS IN ITS APPLICATIONS, NOTWITHSTANDING ANY APPLICATIONS-RELATED INFORMATION OR SUPPORT THAT MAY BE PROVIDED BY CBV.

**Mailing Address:** Component Basics, 1539, 35-Viking Lane, Toronto, M9B 0A2, ON, Canada.

**Email:** [info@componentbasics.com](mailto:info@componentbasics.com)