

DC High-Voltage Fuses

CBP-EVY SERIES FUSE



- Semiconductor Protection Fuses – IEC 60269-4 / JASO D622 / ISO 8820 Compliant

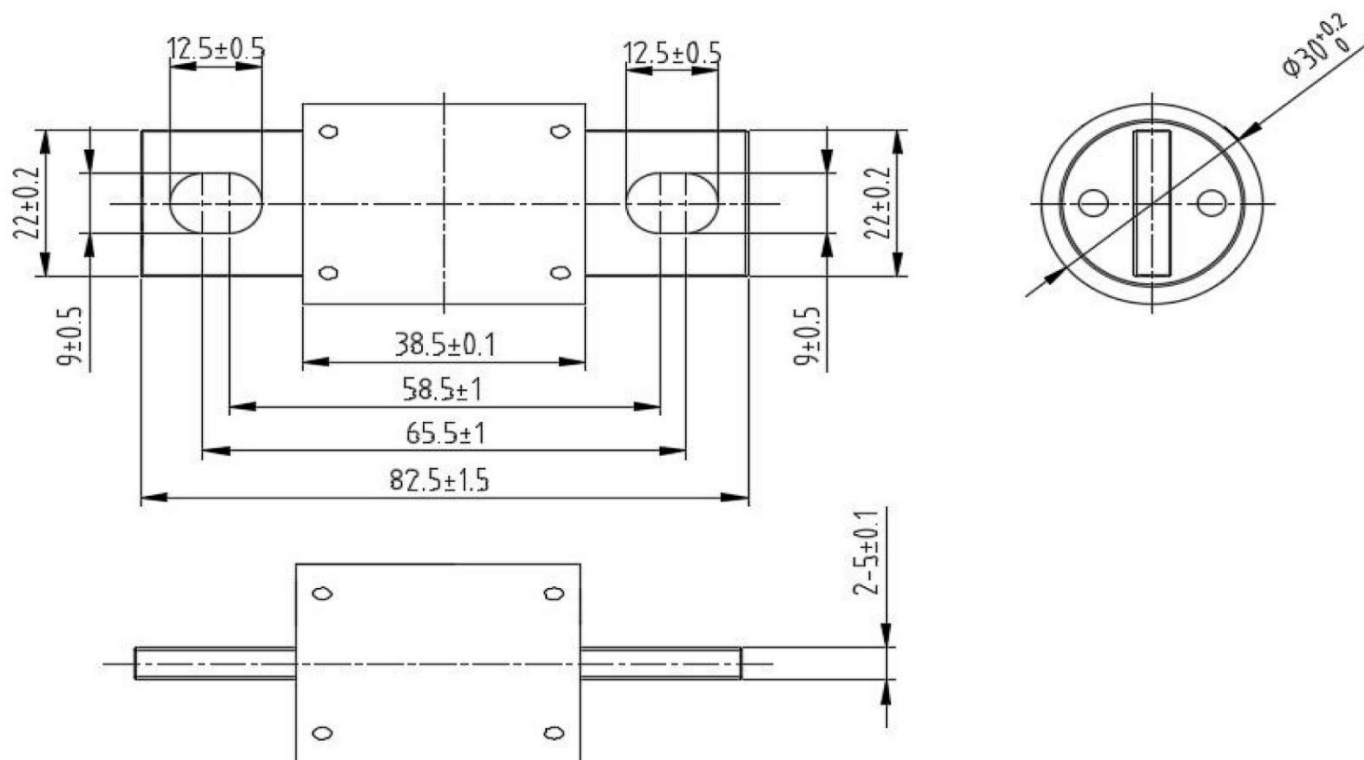
Size	Rated Voltage	Operating Class	Rated Breaking Capacity
30	220V dc	EV	220V@ 20kA

- Series Reference
CBP-EVY

- Key Features

- **Reliable Connection:** Features a secure bolt-on mounting design, ensuring robust and stable electrical connections suitable for high-vibration automotive environments.
- **Superior Performance:** Delivers superior electrical performance with fast-acting protection for EV power systems. It effectively interrupts high fault currents to protect critical components and enhance vehicle safety.
- **Automotive Grade:** Designed in full compliance with key automotive standards, including JASO D622 and ISO 8820-8.
- **Quality Manufacturing:** Manufactured in a facility compliant with the IATF 16949 quality management system for the automotive industry.
- **Environmentally Compliant:** The product and its packaging are fully RoHS compliant, meeting global environmental standards.

● Dimensions



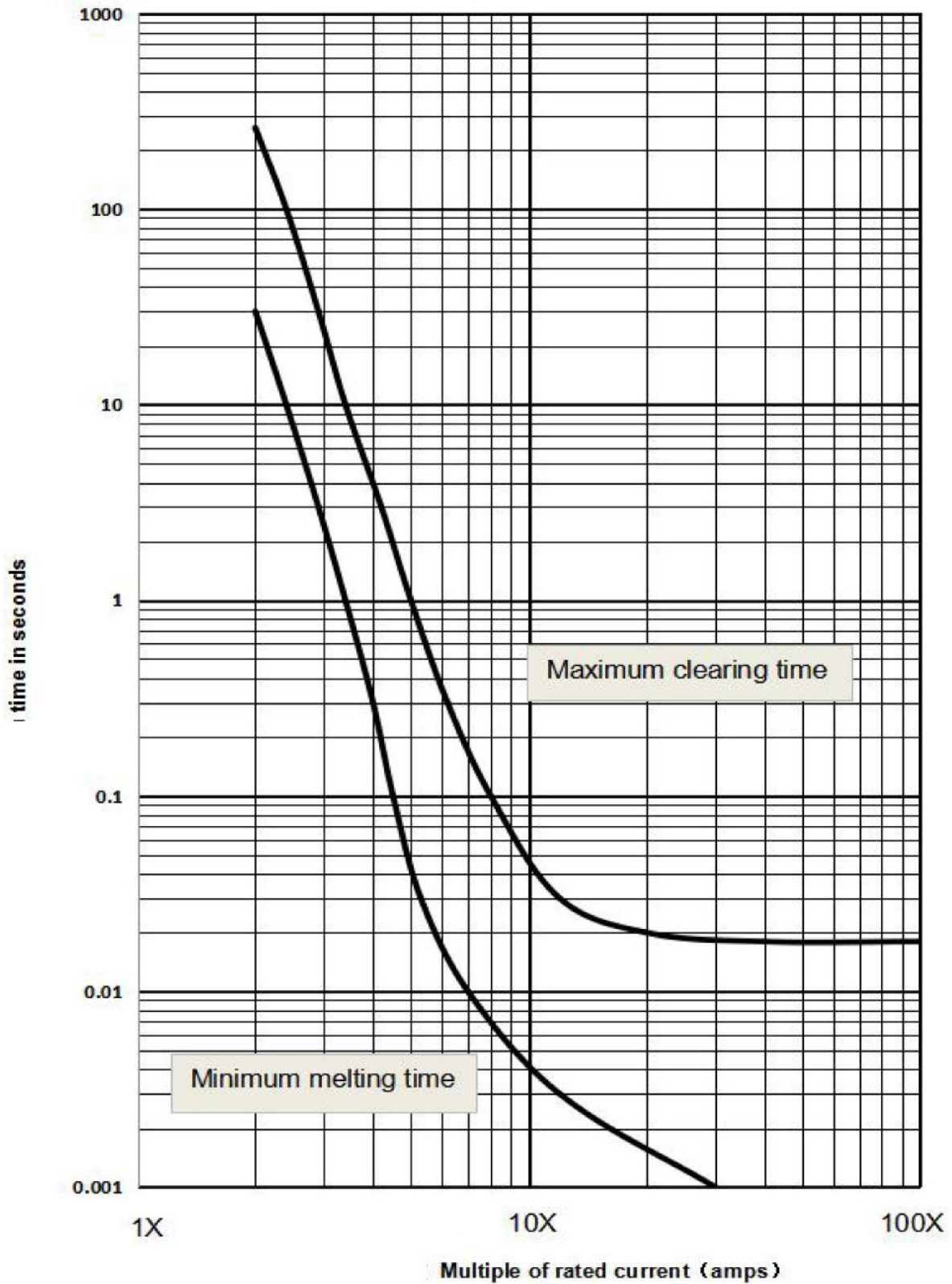
● Specification Matrix

Rated Current (A)	Rated Voltage (V)	Part Number	Power Loss (W) (typ.)	Pre-arcing I ² t (A ² s)	Clearing I ² t @ 220V (A ² s)	Weight (kg) (approx.)	Pack Qty
300	220	CBP-EVY-300A	45	15000	86200	0.06	1
400	220	CBP-EVY-400A	52	22000	101000	0.06	1

- Time- Current Characteristics Curve

time constant
220Vdc@2ms

Minimum melt/Maximum clearing time-current curves



● Usage Conditions

No	Parameter	Specification
1	Operating Voltage	220V DC or less
2	Operating Environment	Temperature: -40°C~85°C
		Relative Humidity: < 50%(≥40°C)
		Relative Humidity: < 90%(≤20°C)
3	Storage Conditions	Temperature: -5°C~40°C Relative Humidity: < 75%
4	Maximum Altitude	≤ 3000 meters above sea level
5	Mounting Torque	M8 Terminals: 12 ± 1 Nm
5	Pollution Degree	III (Industrial Environment)

● ABOUT US

Component Basics ("CBV") datasheets are solely intended to assist designers ("Buyers") who are developing systems that incorporate CBV products (also referred to herein as "components"). Buyer understands and agrees that Buyer remains responsible for using its independent analysis, valuation, and judgment in designing Buyer's systems and products. CBV datasheets have been created using standard laboratory conditions and engineering practices. CBV has not conducted any testing other than that specifically described in the published documentation for a particular datasheet. CBV may make corrections, enhancements, improvements, and other changes to its datasheets or components without notice.

Buyers are authorized to use CBV datasheets with the CBV component(s) identified in each particular datasheet. HOWEVER, NO OTHER LICENSE, EXPRESS OR IMPLIED, BY ESTOPPEL OR OTHERWISE TO ANY OTHER CBV INTELLECTUAL PROPERTY RIGHT, AND NO LICENSE TO ANY THIRD PARTY TECHNOLOGY OR INTELLECTUAL PROPERTY RIGHT, IS GRANTED HEREIN. CBV DATASHEETS ARE PROVIDED "AS IS". CBV MAKES NO WARRANTIES OR REPRESENTATIONS WITH REGARD TO THE DATASHEETS OR USE OF THE DATASHEETS, EXPRESS, IMPLIED, OR STATUTORY, INCLUDING ACCURACY OR COMPLETENESS. CBV DISCLAIMS ANY WARRANTY OF TITLE AND ANY IMPLIED WARRANTIES OF MERCHANTABILITY, FITNESS FOR A PARTICULAR PURPOSE, QUIET ENJOYMENT, QUIET POSSESSION, AND NON-INFRINGEMENT OF ANY THIRD PARTY INTELLECTUAL PROPERTY RIGHTS WITH REGARD TO CBV DATASHEETS OR USE THEREOF.

All products are sold subject to CBV's terms and conditions of sale supplied at www.componentbasics.com. CBV ASSUMES NO LIABILITY FOR APPLICATIONS ASSISTANCE OR THE DESIGN OF BUYERS' PRODUCTS. BUYER ACKNOWLEDGES AND AGREES THAT IT IS SOLELY RESPONSIBLE FOR COMPLIANCE WITH ALL LEGAL, REGULATORY, AND SAFETY-RELATED REQUIREMENTS CONCERNING ITS PRODUCTS, AND ANY USE OF CBV COMPONENTS IN ITS APPLICATIONS, NOTWITHSTANDING ANY APPLICATIONS-RELATED INFORMATION OR SUPPORT THAT MAY BE PROVIDED BY CBV.

Mailing Address: Component Basics, 1539, 35-Viking Lane, Toronto, M9B 0A2, ON, Canada.

Email: info@componentbasics.com