

CB-V▲C Protect

CVAC Protect Fuse Catalogue – CBP-ESX Series





CBP-ESX Series Overview

CBP-ESX series fuses are high-performance DC protection fuses designed for energy storage systems (ESS) and other high-voltage DC applications.

- Rated up to 1500VDC with breaking capacity up to 250kA
- Features: fast response, low I^2t , excellent current-limiting, and low temperature rise
- Built for demanding applications: battery racks, PCS units, grid-side/user-side ESS, and rectifier protection
- Also suitable for railway, renewable energy, EVs, wind/solar, and industrial DC systems
- Optional visual indicator or microswitch available for remote fuse status monitoring
- Compact, durable, and reliable — ideal for high-current ESS circuit protection

Specification

- 1500V system
 - Rated Voltage: 1500Vdc
 - Rated Current: 100A-3000A
- 2000V system
 - Rated Voltage: 2000Vdc
 - Rated Current: 20A-400A
 - Battery PACK protection
 - Rated Voltage: 250Vdc
 - Rated Current: 250A-850A

Breaking Capacity Profile

- Breaking Capacity: 50kA@250Vdc
 - 250kA @1500Vdc
 - 100kA @2000Vdc
- Time Constant L/R: 1-3ms@250Vdc
 - 5ms@1500Vdc
 - 15ms@2000Vdc

Note: For different breaking capacity or higher time constant, please contact with Component Basics.

Fuse Characteristic

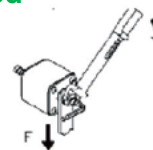
- aR

Indicator Option

- Micro switch IK69

Mounting Method

- M10 22±1N.m
- M12 28±1N.m



Compliance Standard

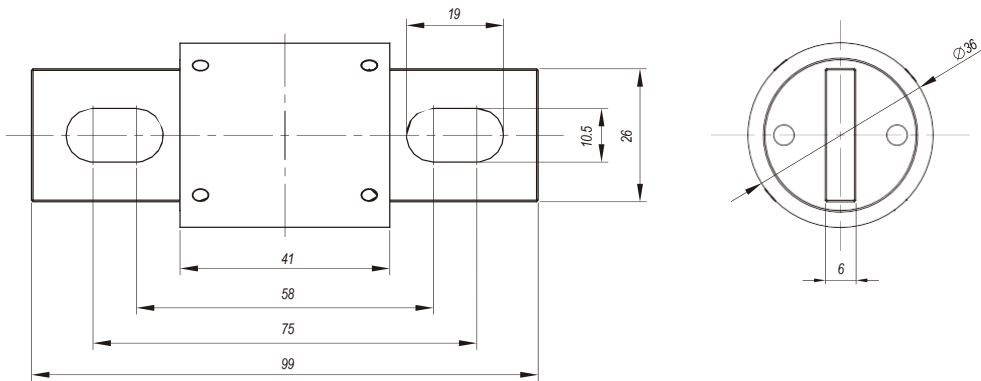
- ROHS
- IEC60269, GB/T13539, UL248

CBP-LVX Series 250Vdc 250-850A

Specification Matrix

Size	Voltage	Current	Model	Pre-arcing $I^2t(A^2S)$	Total $I^2t(A^2S)$	Power loss(W)
36	250	250	LVX-250A	23500	78000	30
		315	LVX-315A	44500	155000	35
		400	LVX-400A	86800	275000	42
		500	LVX-500A	155000	480000	48
		600	LVX-600A	245000	735000	52
		750	LVX-750A	385000	1250000	65
		850	LVX-850A	638000	1958000	80

Dimensions



LVX (Unit: mm)

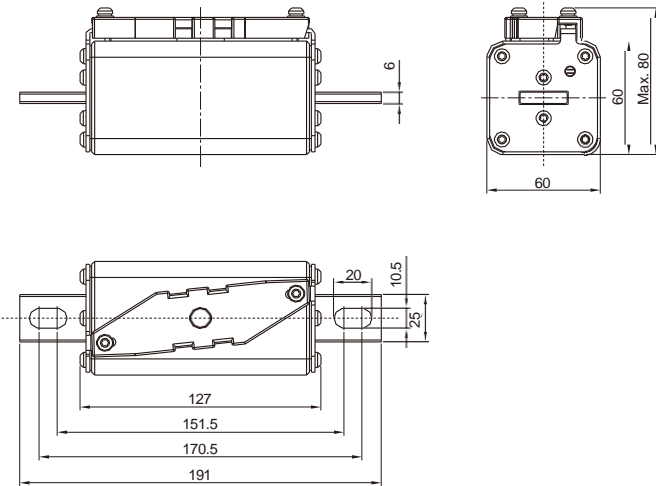
CBP-ESX Series 1500Vdc 100-3000A

Specification Matrix

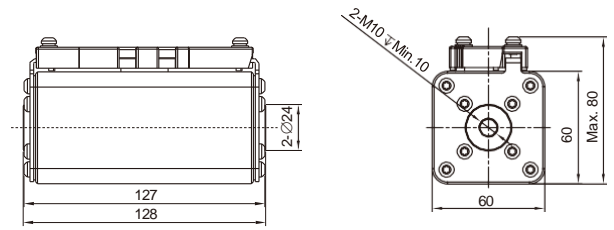
Size	Current	Type E – Bolt-on Mount (US Style)		Type H – Flush End Mount		Pre-arcing I ² t(A ² S)	Total I ² t(A ² S)	Power loss(W)
		Without indicator	Type K indicator	Without indicator	Type K indicator			
B	100	ESX-B-100EN	ESX-B-100E	ESX-B-100HN	ESX-B-100H	1000	4500	40
	125	ESX-B-125EN	ESX-B-125E	ESX-B-125HN	ESX-B-125H	3000	8500	50
	160	ESX-B-160EN	ESX-B-160E	ESX-B-160HN	ESX-B-160H	5000	17000	60
	200	ESX-B-200EN	ESX-B-200E	ESX-B-200HN	ESX-B-200H	10000	30000	70
	250	ESX-B-250EN	ESX-B-250E	ESX-B-250HN	ESX-B-250H	20000	56000	90
	315	ESX-B-315EN	ESX-B-315E	ESX-B-315HN	ESX-B-315H	35000	110000	115
	350	ESX-B-350EN	ESX-B-350E	ESX-B-350HN	ESX-B-350H	50000	160000	120
	400	ESX-B-400EN	ESX-B-400E	ESX-B-400HN	ESX-B-400H	80000	240000	130
450	ESX-B-450EN	ESX-B-450E	ESX-B-450HN	ESX-B-450H	110000	340000	140	
C	100	ESX-C-100EN	ESX-C-100E	ESX-C-100HN	ESX-C-100H	1100	7000	40
	125	ESX-C-125EN	ESX-C-125E	ESX-C-125HN	ESX-C-125H	2000	11000	50
	160	ESX-C-160EN	ESX-C-160E	ESX-C-160HN	ESX-C-160H	3800	18000	65
	200	ESX-C-200EN	ESX-C-200E	ESX-C-200HN	ESX-C-200H	5800	35000	75
	250	ESX-C-250EN	ESX-C-250E	ESX-C-250HN	ESX-C-250H	13500	72000	85
	315	ESX-C-315EN	ESX-C-315E	ESX-C-315HN	ESX-C-315H	23800	135000	90
	350	ESX-C-350EN	ESX-C-350E	ESX-C-350HN	ESX-C-350H	33600	175000	100
	400	ESX-C-400EN	ESX-C-400E	ESX-C-400HN	ESX-C-400H	58500	310000	108
	450	ESX-C-450EN	ESX-C-450E	ESX-C-450HN	ESX-C-450H	75000	350800	120
	500	ESX-C-500EN	ESX-C-500E	ESX-C-500HN	ESX-C-500H	95000	455000	130
	550	ESX-C-550EN	ESX-C-550E	ESX-C-550HN	ESX-C-550H	108000	513000	140
	600	ESX-C-600EN	ESX-C-600E	ESX-C-600HN	ESX-C-600H	158000	721000	150
	630	ESX-C-630EN	ESX-C-630E	ESX-C-630HN	ESX-C-630H	168000	785000	158
700#	ESX-C-700EN	ESX-C-700E	ESX-C-700HN	ESX-C-700H	253000	1188000	175	
750#	ESX-C-750EN	ESX-C-750E	ESX-C-750HN	ESX-C-750H	348000	1958000	190	
D	630	-	-	ESX-D-630HN	ESX-D-630H	168000	1000000	180
	700	-	-	ESX-D-700HN	ESX-D-700H	200000	1430000	190
	800	-	-	ESX-D-800HN	ESX-D-800H	320000	2080000	200
	900	-	-	ESX-D-900HN	ESX-D-900H	466000	3035000	210
	1000	-	-	ESX-D-1000HN	ESX-D-1000H	657000	4300000	230
	1100	-	-	ESX-D-1100HN	ESX-D-1100H	800000	5230000	240
	1250	-	-	ESX-D-1250HN	ESX-D-1250H	1141000	7420000	260
	1350	-	-	ESX-D-1350HN	ESX-D-1350H	1440000	9300000	270
	1500	-	-	ESX-D-1500HN	ESX-D-1500H	1870000	12200000	280
1600	-	-	ESX-D-1600HN	ESX-D-1600H	2429999	16000000	290	
1800	-	-	ESX-D-1800HN	ESX-D-1800H	3170000	20560000	310	
G	1250	-	-	ESX-G-1250HN	ESX-G-1250H	690000	2410000	330
	1350	-	-	ESX-G-1350HN	ESX-G-1350H	823000	2820000	360
	1500	-	-	ESX-G-1500HN	ESX-G-1500H	1100000	3660000	380
	1800	-	-	ESX-G-1800HN	ESX-G-1800H	1640000	5000000	450
	2000	-	-	ESX-G-2000HN	ESX-G-2000H	2300000	7000000	470
	2500	-	-	ESX-G-2500HN	ESX-G-2500H	4660000	14100000	520
	2800	-	-	ESX-G-2800HN	ESX-G-2800H	5850000	23700000	560
3000	-	-	ESX-G-3000HN	ESX-G-3000H	8000000	24500000	580	

Note: Tube 3 700A/750A, with a breaking capacity of 100kA

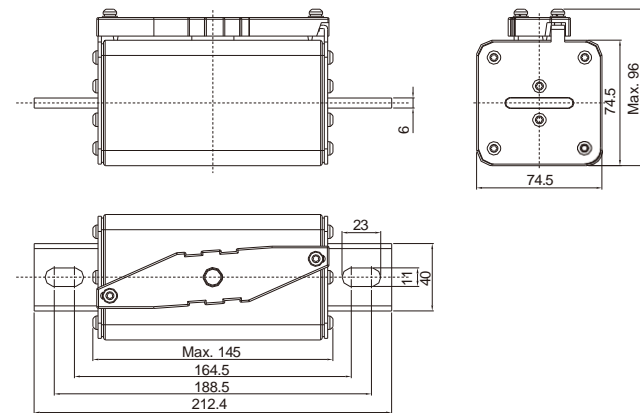
Dimensions



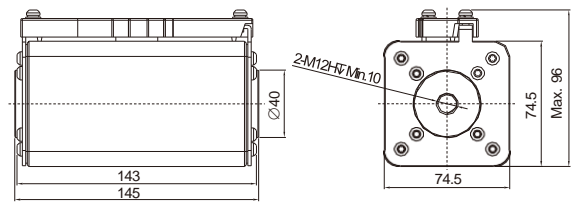
ESX-B-E (Unit:mm)



ESX-B-H (Unit:mm)

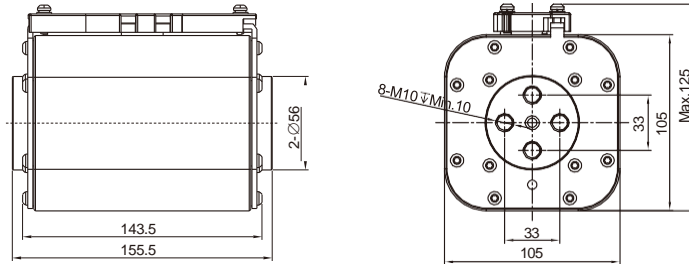


ESX-C-E (Unit:mm)

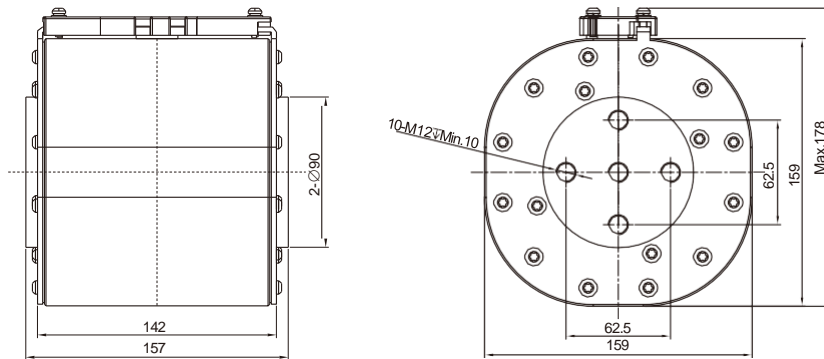


ESX-C-H (Unit:mm)

Dimensions



ESX-D-H (Unit:mm)



ESX-G-H (Unit:mm)

Contact Us



35 Viking Lane, Toronto, ON, M9B 0A2 (Canada)

info@componentbasics.com

www.componentbasics.com